



ICY BOX IB-MS702B-T

Monitor stand with table support for two monitors up to 32"

Key features

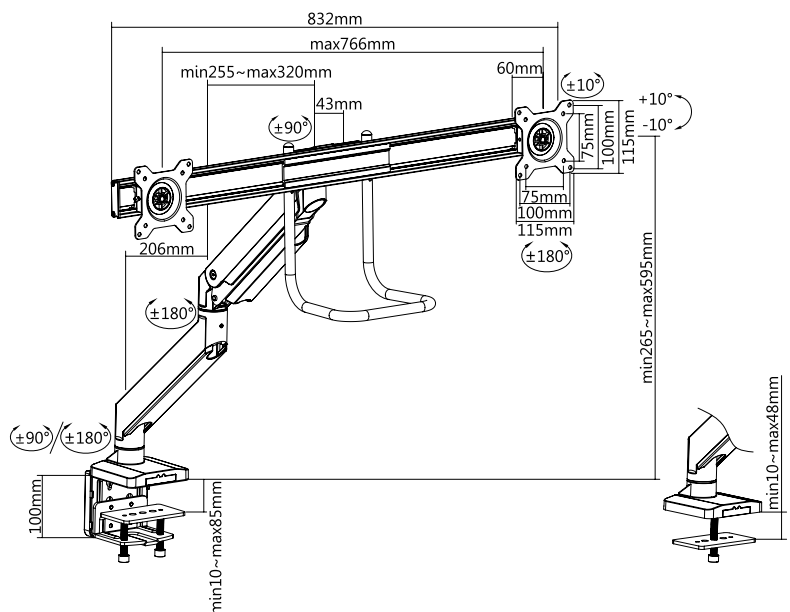
- Create space on the desktop and provides a more flexible and productive workspace
- Well-engineered design - slim and ergonomic
- Smart Torque Adjust™ – Built-in spring gauge can be adjusted to suit various monitor weights
- Gas spring counterbalance floats the monitor with a light touch
- Cable management routes cables under the arm to reduce clutter for a clean look
- Grommet and desk mount base suits most desks with adjustable clamp height
- Quick-Release VESA plate mount or remove the monitor in mere seconds
- Supports 100x100 and 75x75 VESA® standards



Packing content
 IB-MS702B-T, allen wrench, set of screws, installation guide

Technical data

Model	IB-MS702B-T
Article No.	60654
EAN / GTIN code	4250078169925
Brand	ICY BOX
Colour	Black
Material	Steel / plastic / aluminum alloy
Maximum size of monitor	32"
Number of monitors	2
Max. weight of monitor	Up to 8 kg/monitor
Max arm extend	Up to 569 mm
Max arm height	Up to 595 mm
VESA® - Swivel (Hinge)	+/- 90° horizontal
VESA® - Tilt (Hinge)	+90°/-45° vertical
Arm - Tilt	+/- 45° vertical
VESA® - Rotate (Pivot)	360° horizontal
Base - Rotate (Pivot)	270° vertical
VESA® compatible	75x75 / 100x100 mm
Mounting	Full metall clamp or grommet base
Table thickness	10-85 mm





ICY BOX **IB-MS702B-T**

Monitor stand with table support for two monitors up to 32"



Requirements

The bracket is suitable for two monitors with a screen diagonal up to 32" and the VESA® standards 100x100 and 75x75. It is important that the monitors should not exceed a maximum weight of 8 kg each.



Movable

No matter how you like to work - the different joints can be moved in many angles. This allows the monitor to be aligned exactly as required. A full rotation of 360° is possible, just like adjusting the height, inclination or distance to the viewer.



With firm hold

The desk mount allows the IB-MS702B-T to be attached to desks. The ingenious design ensures a uniformly distributed weight and firm hold on the desk.

Logistical data

Packing unit:	2 pcs./carton
Total weight:	16.8 kg/carton
Gross weight: (with packing):	8.72 kg
Net weight:	7.02 kg

Dimension/Carton:	480x915x180 mm
Dimension (with packing):	150x905x230 mm
Dimension of article:	569x832x595 mm
Country of Origin:	China