

ICY BOX IB-MS639B-T

Monitor stand for three monitors with a size of up to 24" (61 cm)

Key features

- The IB-MS639B-T remains the classic multiple stand design
- Easy Cable™ Management cover & column to make the cables tidy & well arranged
- Smart Torque Adjust™ is always available at every hinge module to meet various weights implemented
- Horizontally adjustable VESA® support for a wide range of screen dimensions
- Simple monitor height setup
- For screens size up to 24" diagonal screen measurement
- Special metal foot design to guarantee stability
- Supports 100x100 and 75x75 VESA® standards

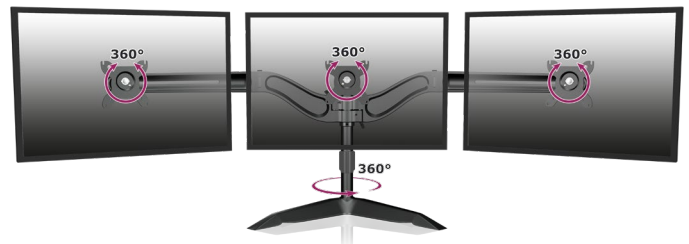
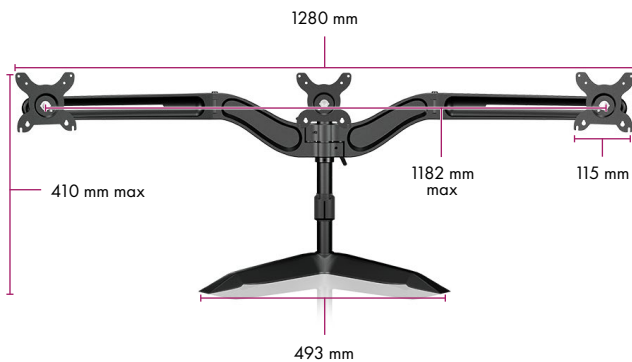


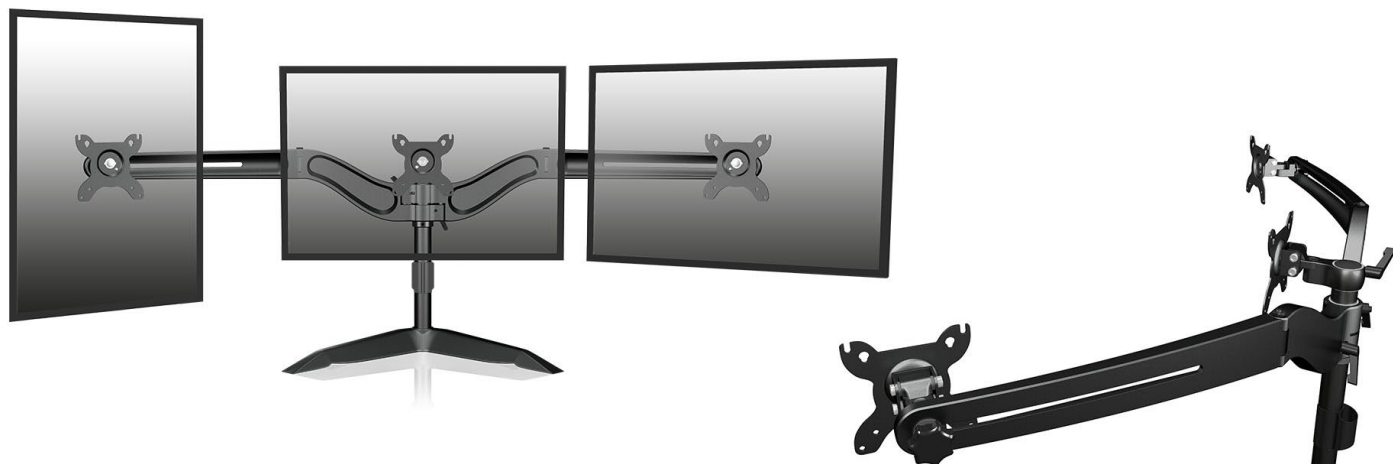
Packing content
IB-MS639B-T, allen wrench, set of screws, quick installation guide

Technical data

Model	IB-AC639B-T
Article no.	60413
EAN code	4250078167976
Brand	ICY BOX
Colour	Black
Material	Steel / Plastic / Aluminium Alloy
Maximum size of monitor	24" (61 cm)

Number of monitors	3
Max. weight of monitor	6 kg/monitor
VESA® - Swivel (Hinge)	+/- 15° horizontal
VESA® - Tilt (Hinge)	+/- 15° vertical
VESA® - Rotate (Pivot)	360° horizontal
Base - Rotate (Pivot)	360° vertical
Mounting	Full metal base





ICY BOX **IB-MS639B-T**

Monitor stand for three monitors with a size of up to 24" (61 cm)



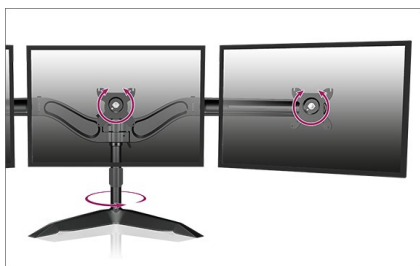
Of all good things...

Is three. This free standing monitor stand can accommodate three screens, each with a maximum size of 24" (61 cm, up to 6 kg per screen). The high-quality finish of steel and an aluminium alloy provides exceptional stability and were at the height of the screens ergonomic claims followed.



Quite simple

The monitor holder has a comfortable Easy Cable™ which is a cable guide on the back. In order to balance the weights of different weights screens, a Smart Torque Adjust™ torque adjustment ensures at each VESA® mount for stability.



Various possibilities

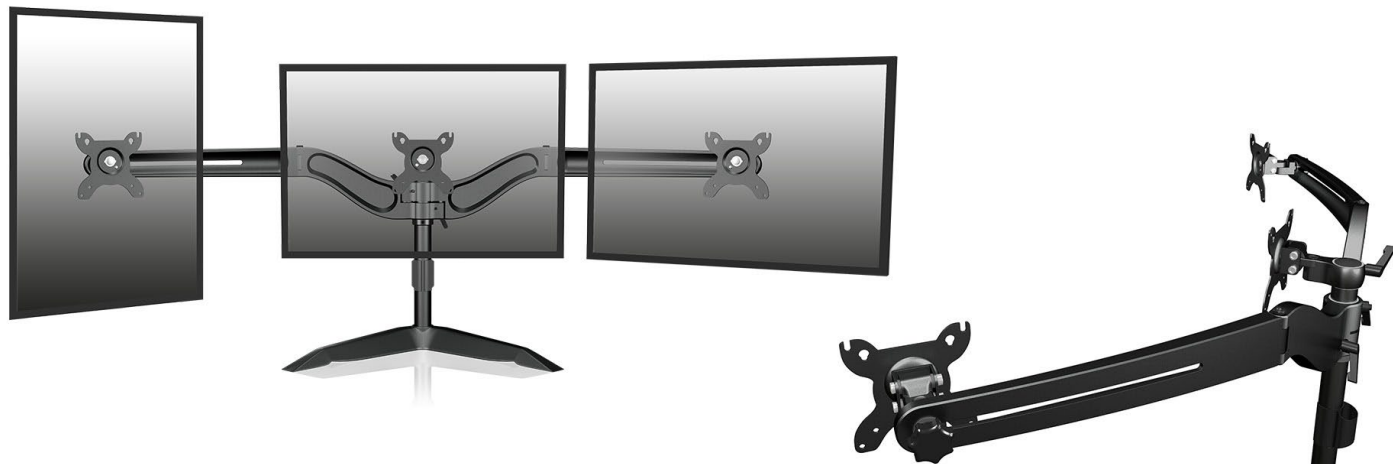
The various components of the monitor holder can be rotated in different angles up to 360°. The VESA® monitor support is horizontally tilted at an angle of up to 15°. Optional are two accessory packs to purchase either a mount for a further three screens (a total of 6 screens) or a clamp base for fixed mounting on a table.

Logistical data

Packing unit: 3 pcs./carton
Total weight: 18.5 kg/carton
Gross weight: (with packing): 5.78 kg
Net weight: 4.68 kg

Dimension/carton: 591x448x377 mm
Dimension (with packing): 562x351x168 mm
Dimension of article: 1300x401x327 mm
Country of origin: Taiwan

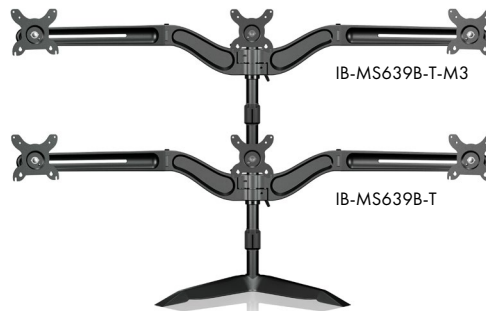




ICY BOX IB-MS639B-T Accessories



IB-MS639B-T-M3



IB-MS639B-T-M3

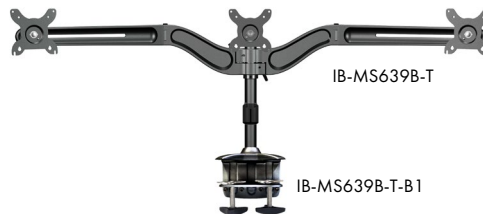
IB-MS639B-T

Model	IB-MS639B-T-M3
Article no.	60414
EAN code	4250078167983
Description	Black extended module for three monitors with screen size up to 24"
Packing content	IB-MS639B-T-M3, allen wrench, set of screws, quick installation guide

Packing unit:	3 pcs./carton
Total weight:	16.70 kg
Gross weight (with packing):	5.16 kg
Net weight:	4.40 kg
Dimension / carton:	591x448x377 mm
Dimension (with packing):	145x570x350 mm
Dimension of article:	140x1300x370 mm
Country of origin:	Taiwan



IB-MS639B-T-B1



IB-MS639B-T

IB-MS639B-T-B1

Model	IB-MS639B-T-B1
Article no.	60415
EAN code	4250078167990
Description	Black alternative clamp base for IB-MS638B-T and IB-MS639B-T
Packing content	IB-MS639B-T-B1, allen wrench, set of screws, quick installation guide

Packing unit:	8 pcs./carton
Total weight:	18.30 kg
Gross weight (with packing):	2.20 kg
Net weight:	2.03 kg
Dimension / carton:	362x350x290 mm
Dimension (with packing):	171x165x130 mm
Dimension of article:	120x160x130 mm
Country of origin:	Taiwan